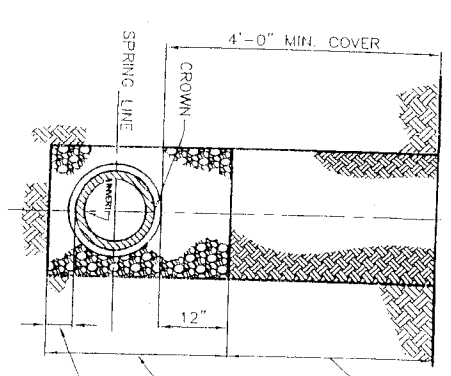


BUILDING SEWER PROFILE
(N.T.S.)



BUILDING SEWER TRENCH
(N.T.S.)

PLACE SUITABLE BACKFILL FREE OF ROCKS, BROKEN CONCRETE, FROZEN CHUNKS, AND OTHER RUBBLE. HAND TAMP IN 6" LAYERS.

MIN. 6" ASHTO NO. 8 STONE (1B) BELOW PIPE

ALL SOLID ROCK SHALL BE REMOVED FROM WITHIN THE 6' BELOW THE PIPE INCLUDING THE BELLS

- NOTES:**
1. CONTINUOUS SUPPORT OF BARREL OF PIPE TO BE MAINTAINED. PIPE SHALL NOT BE SUPPORTED ON BLOCKS TO GRADE.
 2. ANY PLUMBING PASSING UNDER A FOOTING SHALL BE PROVIDED WITH A RELIEVING ARCH.
 3. WHENEVER THE SANITARY LATERAL IS OF SUFFICIENT DEPTH, THE BUILDING DRAIN SHALL BE AT LEAST TWELVE (12) INCHES BELOW THE CEILING FLOOR FOR A DISTANCE OF FIVE (5) FEET INSIDE THE CELLAR WALL.
 4. WHEN THE RUNNING TRAP FALLS UNDER A SIDEWALK AREA OR UNDER ANY SLAB CONSTRUCTED OF A PERMANENT MATERIAL, THE TRAP AND CLEANOUT FOR THE RUNNING TRAP SHALL BE EXTENDED TO GRADE LEVEL AND FITTED WITH ADJUSTABLE BOXES WITH BRASS COVERS (6/16) INCH BRASS SCREWS. THE VENT COVER SHALL BE GRATED AND THE CLEANOUT SHALL BE SOLID.
 5. CLEANOUTS SHALL BE INSTALLED IN THE BUILDING SEWER IN SUCH MANNER, NUMBER AND POSITION AS TO PERMIT CLEANING SUCH LINES IN THEIR ENTIRE LENGTH, BUT IN NO CASE SHALL THERE BE LESS THAN TWO (2) CLEANOUTS IN EACH BUILDING SEWER EXCEEDING FIFTY (50) FEET IN LENGTH, NOR SHALL THEY BE SPACED MORE THAN FIFTY (50) FEET APART.
 6. JOINTS FOR BELL AND SPIGOT CAST IRON PIPE AND FITTINGS SHALL BE MADE BY APPROVED COMPRESSION GASKETS THAT ARE COMPRESSED WHEN THE SPIGOT IS INSERTED INTO THE HUB OF THE PIPE. EVERY JOINT IN PLASTIC PIPE SHALL BE MADE WITH APPROVED FITTINGS BY SOLVENT WELDING OR GASKETED JOINTS.

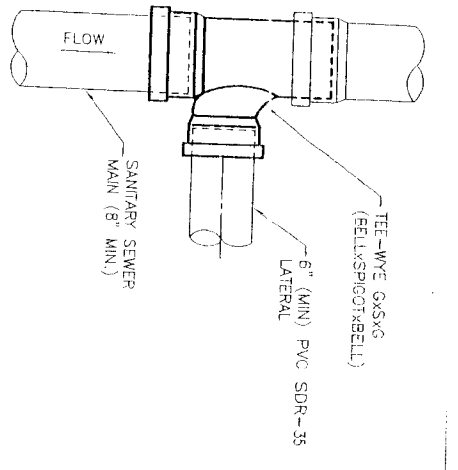
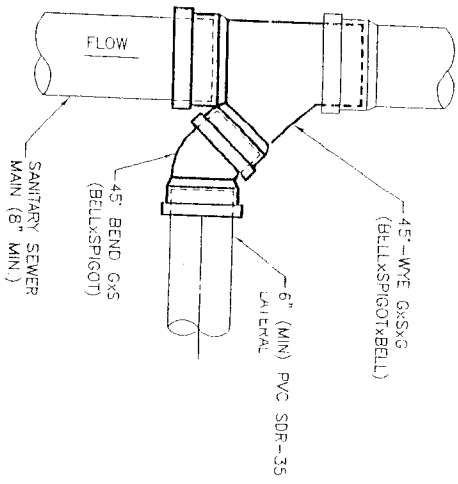
NO.	DATE	REVISION

Systems Design Engineering, Inc.
Engineers, Surveyors, Planners, Constructors, Architects
1032 JAMES ST.
LEESPORT PA 19323
Phone: (610) 912-8200
Fax: (610) 912-8501
E-MAIL: info@sdesd.com

WAYNE TWP MUN AUTH
SEWER CONNECTION
FOR TYPICAL BUILDING

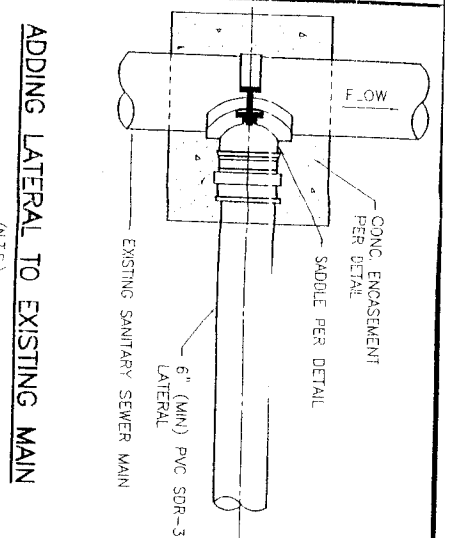
WAYNE TOWNSHIP SCHUYLER COUNTY PENNSYLVANIA

SCHUYLER TOWNSHIP PA
(610) 365-5546

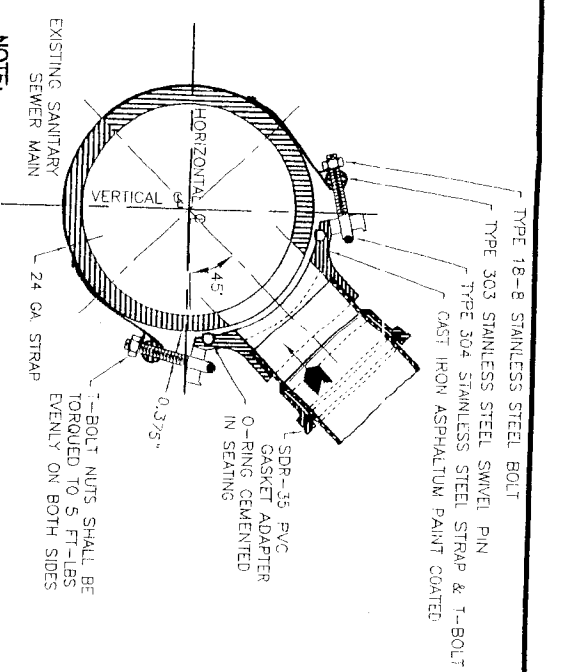


NOTE: BOTH METHODS (1) & (2) LISTED ABOVE ARE ACCEPTABLE LATERAL CONNECTIONS TO THE MAIN DURING NEW CONSTRUCTION.

NEW CONSTRUCTION
(N.T.S.)

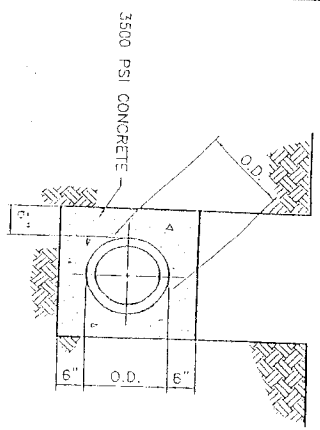


ADDING LATERAL TO EXISTING MAIN
(N.T.S.)

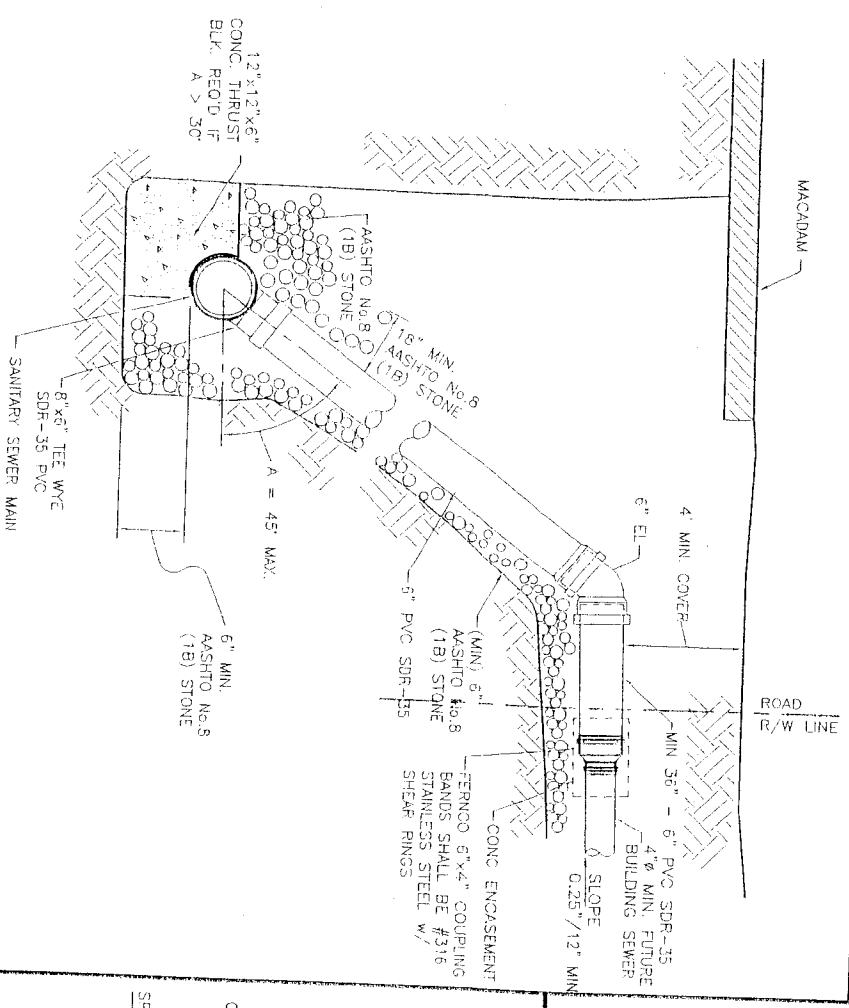


NOTE: SADDLE CONNECTION TO BE AS MANUFACTURED BY ROMAC INDUSTRIES, INC. (1/2" STYLE SADDLE) OR APPROVED EQUAL. SADDLE MODEL IS SPECIFIC TO SIZE OF MAIN AND TYPE OF PIPE.

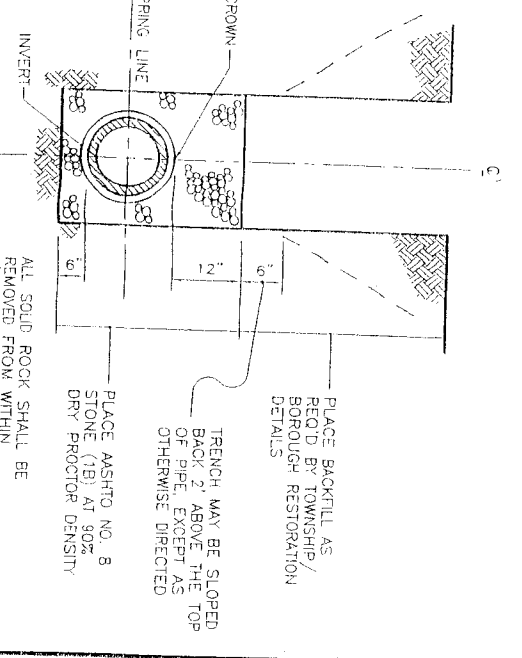
SADDLE CONNECTION
(N.T.S.)



CONCRETE ENCASEMENT
(N.T.S.)



DROP HOUSE CONNECTION



GRAVITY/FORCE MAIN SAN SEWERS

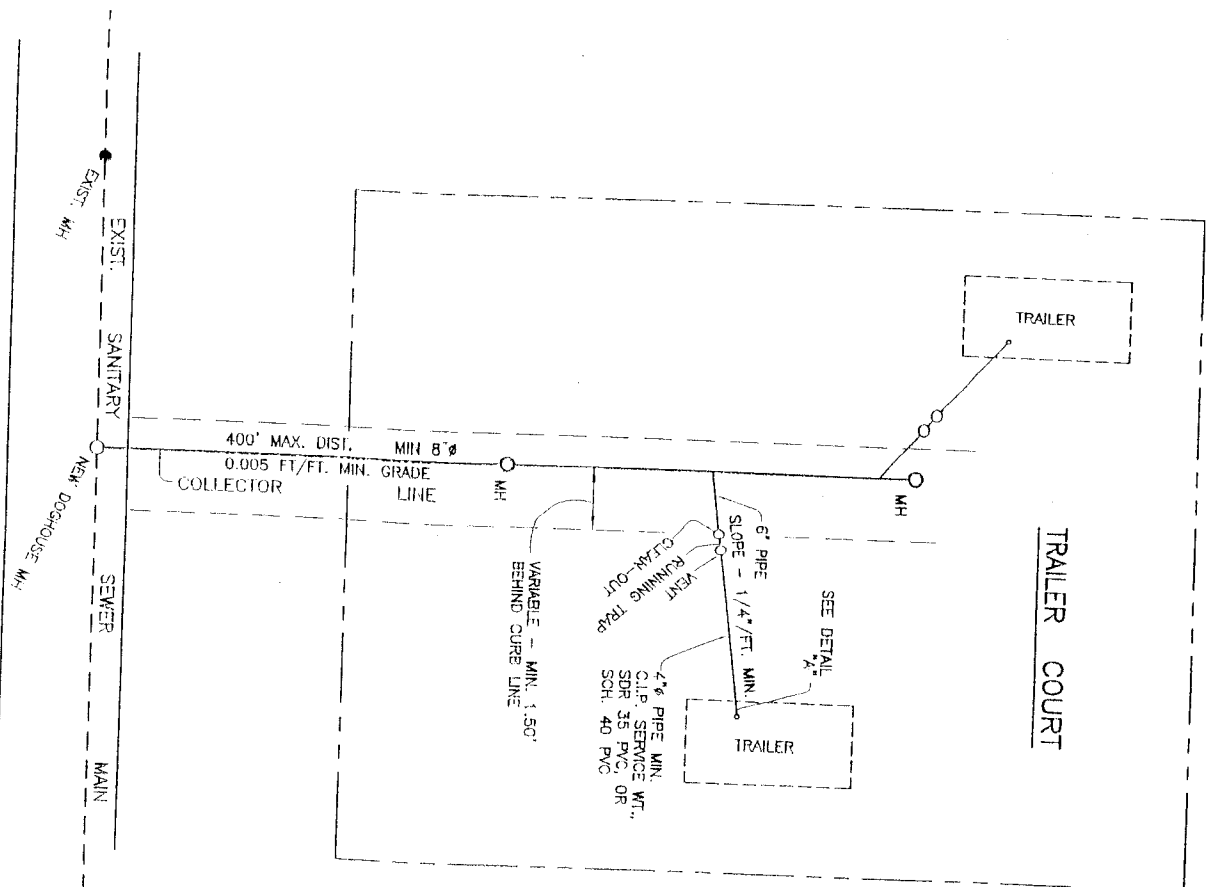
Systems Design Engineering, Inc.
 13400 Delaware Avenue
 P.O. Box 1000
 Wilmington, Delaware 19807-1000
 Phone: (610) 914-8200
 Fax: (610) 914-8201
 Email: info@sdeinc.com

Wayne Twp Mun Auth
 Lateral Connection to Main

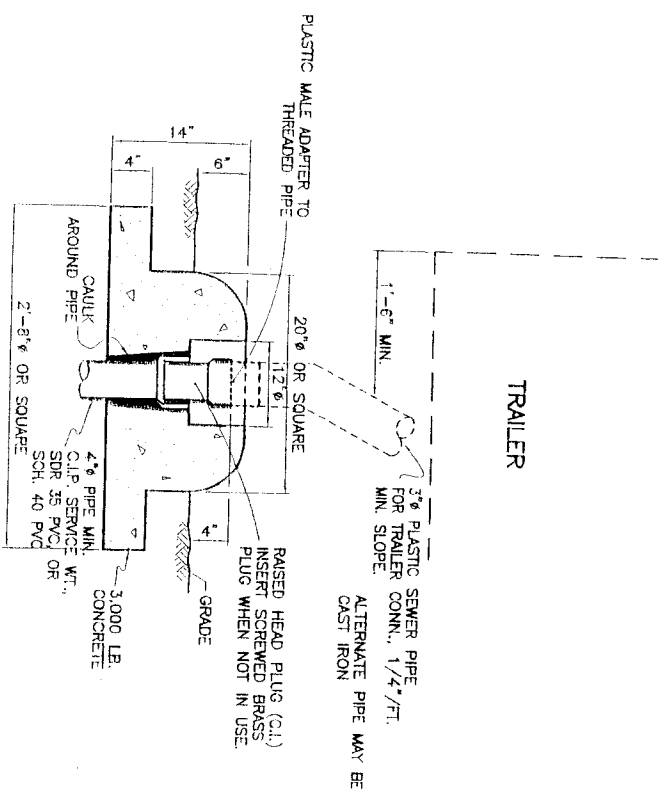
DATE: _____
 REVISION: _____

WAYNE TWP MUN AUTH
 LATERAL CONNECTION TO MAIN

WAYNE TOWNSHIP
 SCHUYLKILL COUNTY
 PENNSYLVANIA



**TYPICAL TRAILER COURT
SANITARY SEWER CONNECTION**
(N.T.S.)



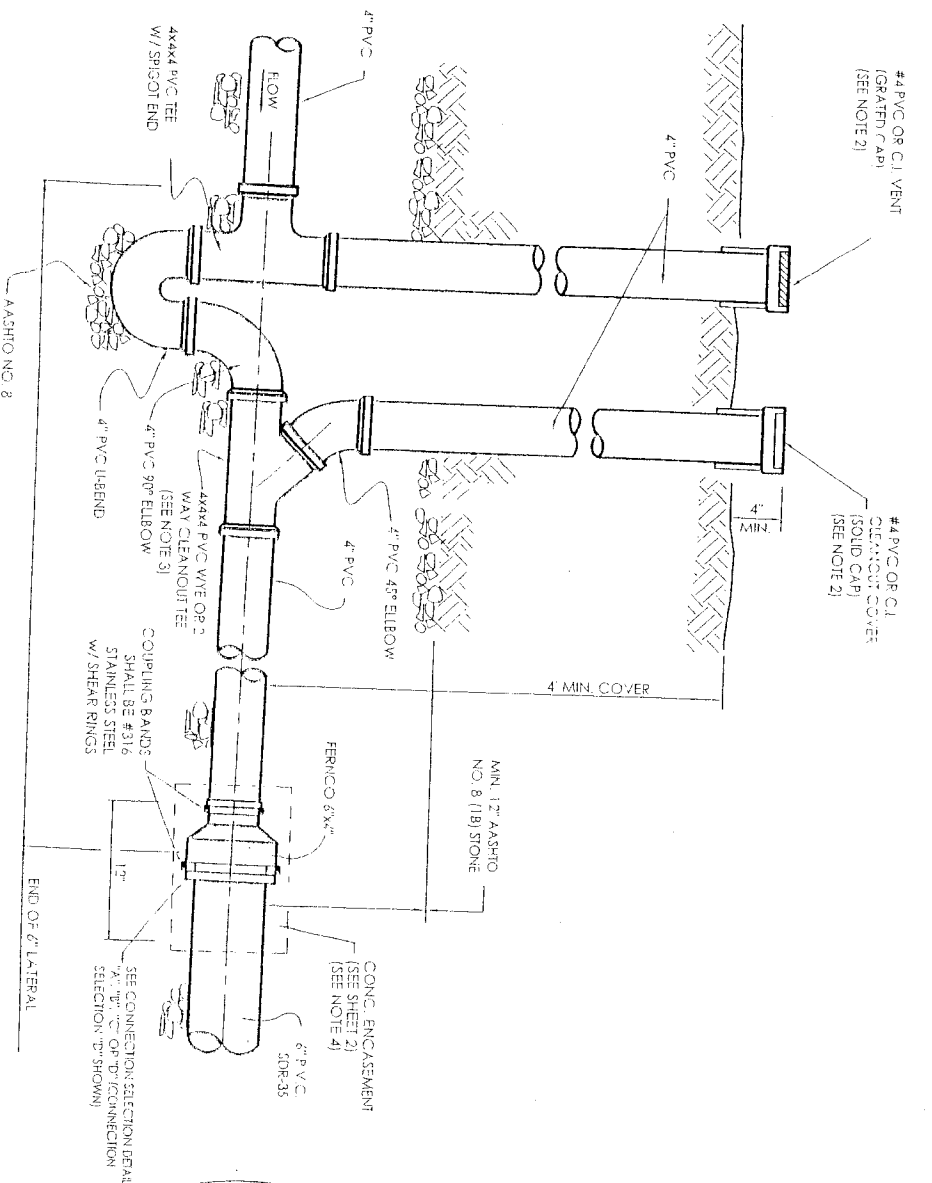
DETAIL "A"
(N.T.S.)

NO.	DATE	REVISION

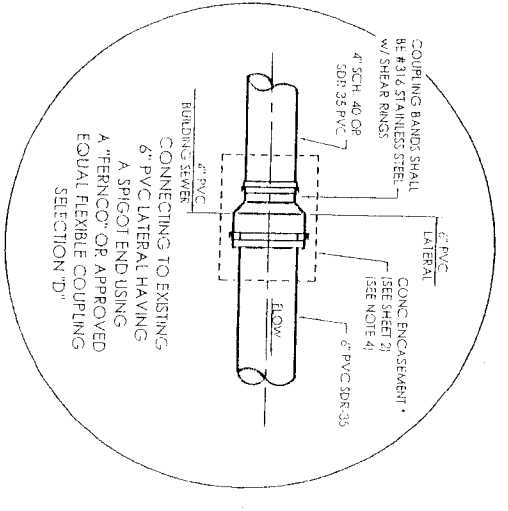
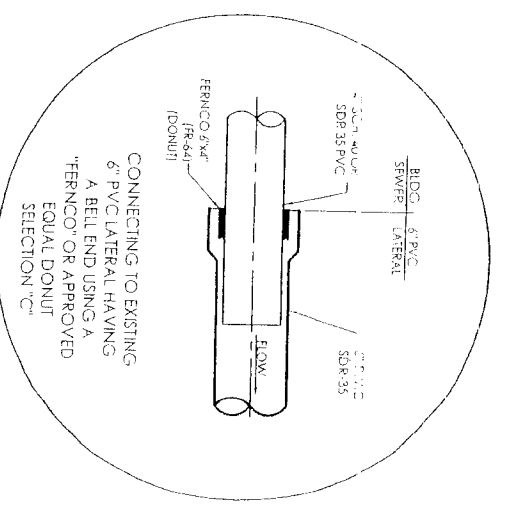
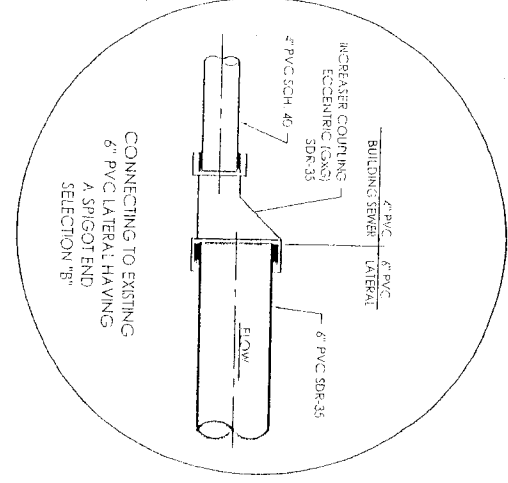
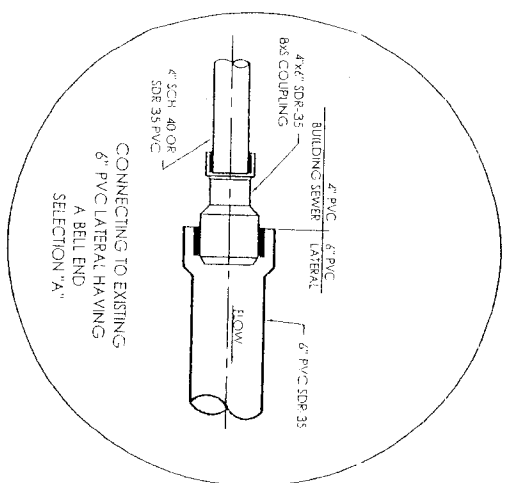
SDS
Systems Design Engineering, Inc.
Engineers - Surveyors - Planners - Construction Managers
1032 James Dr.
Lebanon, PA 17353
Tel: (717) 944-6580
Fax: (717) 944-6580
E-mail: sales@sdse.com

WAYNE TWP MUN AUTH
LATERAL CONNECTIONS
FOR TRAILER COURTS

WAYNE TOWNSHIP SCHUYLKILL COUNTY PENNSYLVANIA
SQUARED
16 (0) 34911319
1570 355349



- NOTES:
1. MINIMUM BUILDING SEWER GRADE = 1/4" PER FT.
 2. IN ANY PAVED OR CONCRETE AREA, CAST IRON VENT BOX AND CAST IRON CLEAN OUT COVER SHALL BE USED.
 3. A 2 WAY CLEANOUT TEE IS ACCEPTABLE IN LIEU OF THE WYE CLEANOUT FITTING.
 4. IF FERNOCO 5000 SERIES RC COUPLING IS USED, CONCRETE ENCASUREMENT IS NOT REQUIRED.



Systems Design Engineering, Inc.
 Engineers - Surveyors - Planners - Construction Managers

1500 W. 13th Street
 Suite 100
 Phoenix, AZ 85006
 Phone: (602) 974-8800
 Fax: (602) 974-8801
 Email: info@sdeinc.com

Wayne Twp Mun Auth
 Building Sewer Details
 and Connection to Lateral

Wayne Township
 Schuylkill County
 Pennsylvania

10/11/10
 12701 397.546

NO.	DATE	REVISION

DESIGNED BY	CHKD BY	DATE	SCALE
JMS	JMS		

TITLE	SHEET	OF
BUILDING SEWER DETAILS AND CONNECTION TO LATERAL	4	4